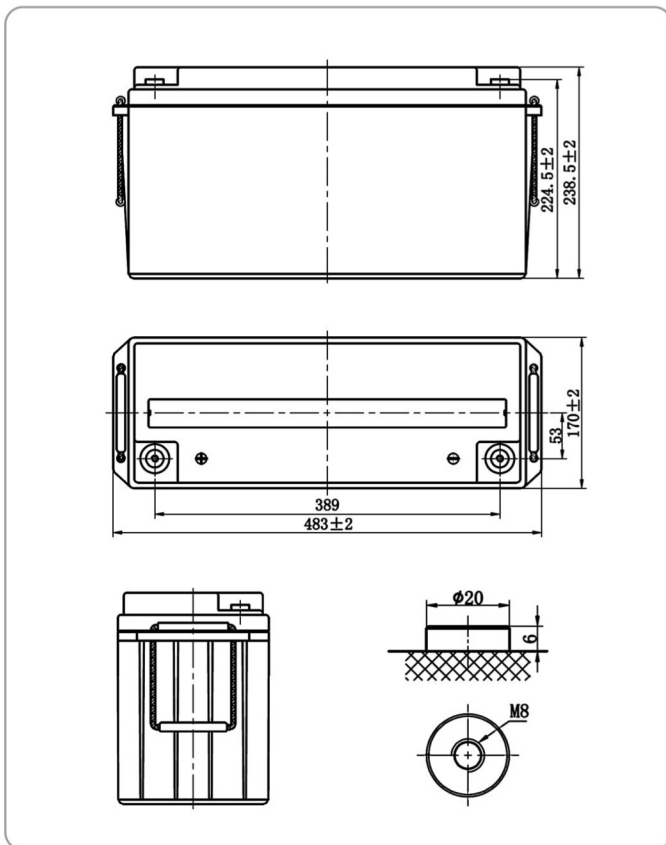


产品特点 Product Features

- 电池内部无游离酸，气体复合效率高。
- 特殊板栅合金，配合优质的电解液，充分保证寿命。
- 可靠的密封技术，使用安全可靠。
- 严格的选材及先进的制造工艺，使自放电极小。
- No free acid inside battery, high efficient gas recombination.
- Special alloy of grid, superior electrolyte secures the battery life.
- Reliable sealing technology, safe and reliable.
- Strict selection of materials and advanced manufacturing technology, Low self-discharge.



外形尺寸 Dimension (mm)

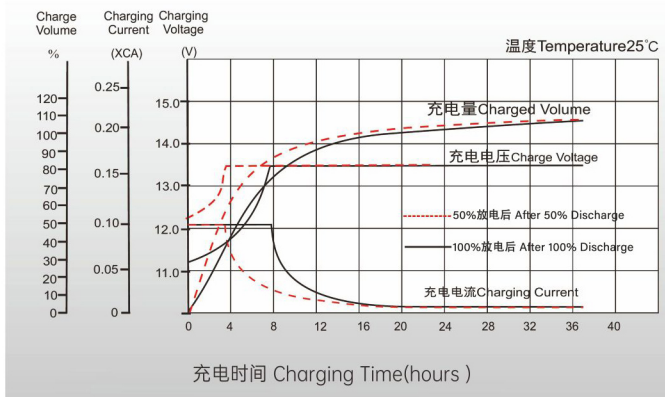


电池特征 Battery Characteristics

标称电压 (V) Nominal Voltage	12	
容量 Capacity (25°C)	C ₂₀ (7.85A,1.80V/cell)	157.0Ah
	C ₁₀ (15.0A,1.80V/cell)	150.0Ah
	C ₃ (38.7A,1.75V/cell)	116.1Ah
	C ₁ (87.5A,1.60V/cell)	87.5Ah
近似外形尺寸 Approd.Dimension	长 L (mm)	483.0
	宽 W (mm)	170.0
	高 H (mm)	238.5
	总高 OH (mm)	238.5
不同环境温度下的放置期限 Storage period at various temperature	20°C以下	9个月
	20°C ~ 30°C	6个月
	30°C ~ 40°C	3个月
重量 Weight	约46.5kg	
端子 Terminal	铜芯(M8)	
池壳材料 Container material	ABS	
内阻 (完全充电) IR, fully charged (25°C)	≤3.5 mΩ	
最大充电电流 Max.Charging Current (25°C)	45A	
充电方法 Charge method (25°C)	浮充 Float	13.65V/只
	均充 Equalization	14.1 ~ 14.4V/只
设计浮充寿命 Designed floating life	6年(25°C)	

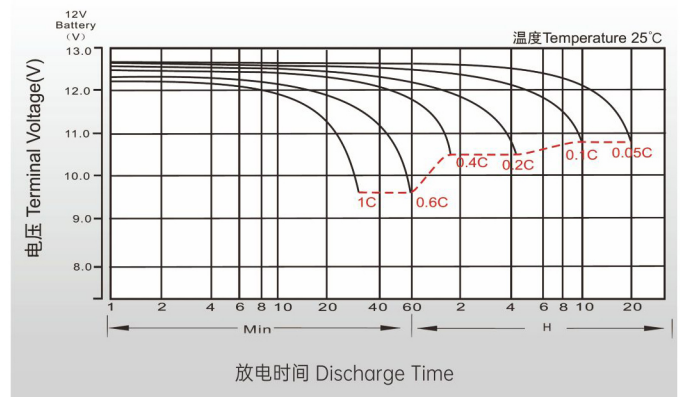
限流恒压充电特性

Charge Characteristics at Constant Voltage with Limited Current



放电特性

Discharge Characteristics



恒流放电表 Constant Current Discharge Characteristics (A, 25°C)

终止电压	30min	45min	1h	1.5h	2h	3h	4h	5h	6h	8h	10h	20h
1.80V	129.2	93.9	79.4	58.6	49.2	37.9	29.3	25.0	21.9	17.0	15.0	7.85
1.75V	131.9	97.3	83.3	61.6	51.8	38.7	29.8	25.5	22.3	17.1	15.2	7.95
1.70V	134.5	99.3	85.0	62.8	52.8	39.4	30.4	25.9	22.6	17.3	15.3	8.06
1.65V	136.5	100.7	86.2	63.8	53.6	39.8	30.8	26.4	23.0	17.6	15.5	8.18
1.60V	138.5	102.2	87.5	64.7	54.4	40.2	31.2	26.8	23.4	17.8	15.7	8.33

定功率放电表 Constant Wattage Discharge Characteristics (W/Cell, 25°C)

终止电压	30min	45min	1h	1.5h	2h	3h	4h	5h	6h	8h	10h	20h
1.80V	245.0	179.4	152.7	113.1	95.3	73.8	57.2	49.1	43.0	33.6	29.8	15.7
1.75V	248.1	184.8	159.5	118.4	99.9	75.0	58.1	49.8	43.7	33.7	30.1	15.8
1.70V	250.9	187.2	161.9	120.2	101.4	76.2	58.9	50.5	44.3	34.2	30.3	15.9
1.65V	252.7	188.8	163.3	121.4	102.5	76.6	59.6	51.3	45.0	34.6	30.7	16.1
1.60V	253.8	189.8	164.5	122.3	103.3	76.9	60.0	51.8	45.6	34.9	31.0	16.3

充电注意 Charging Recommendations

当温度偏离25°C时，请按每变化1°C，浮充使用按-18mV/只进行修正，均充按-24mV/只进行修正。

If the operating temperature varies significantly from the center value (25°C), temperature compensation for the charging voltage is recommended. The recommendation is -18mV/°C/piece for floating use, and -24mV/°C/piece for equalization use.



杰士汤浅株式会社 GS YUASA CORPORATION

广东汤浅蓄电池有限公司

地址: 广东省佛山市顺德区大良飞鹅岗

热线电话: 400-930-0628 传真: 0757-22635775

电话: 0757-22620901

http://www.gdyuasa.com

认证标识 Approval indication



FM 45770

EMS 99952

OHS 750241